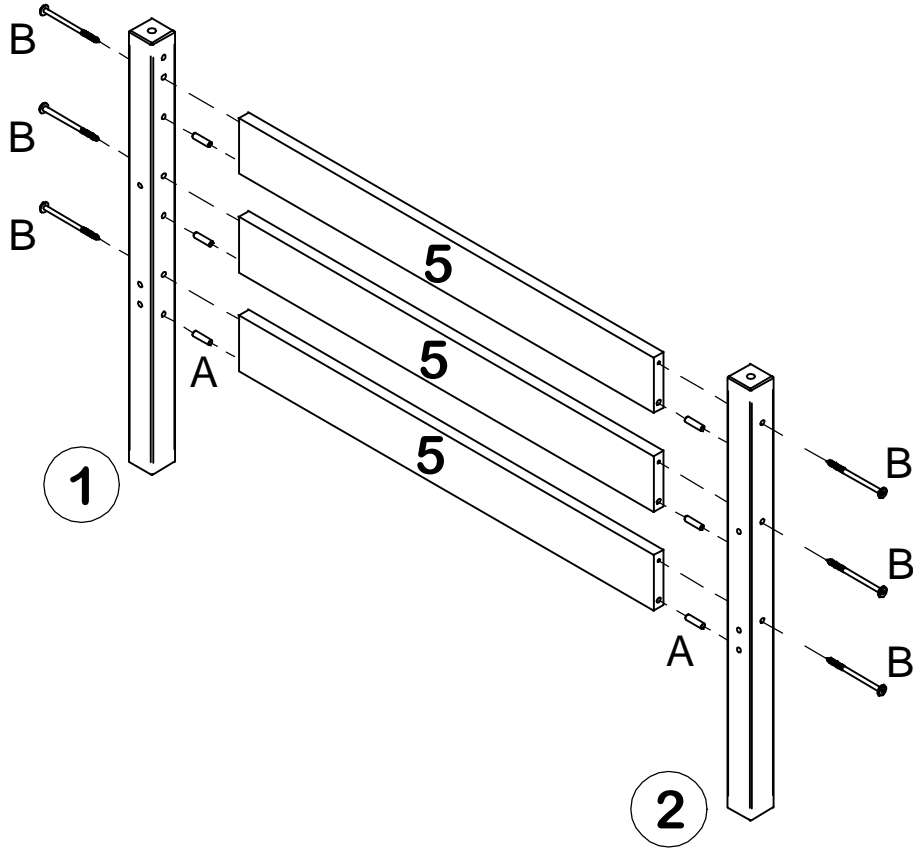
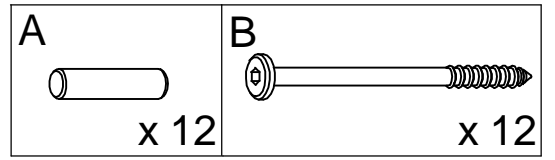
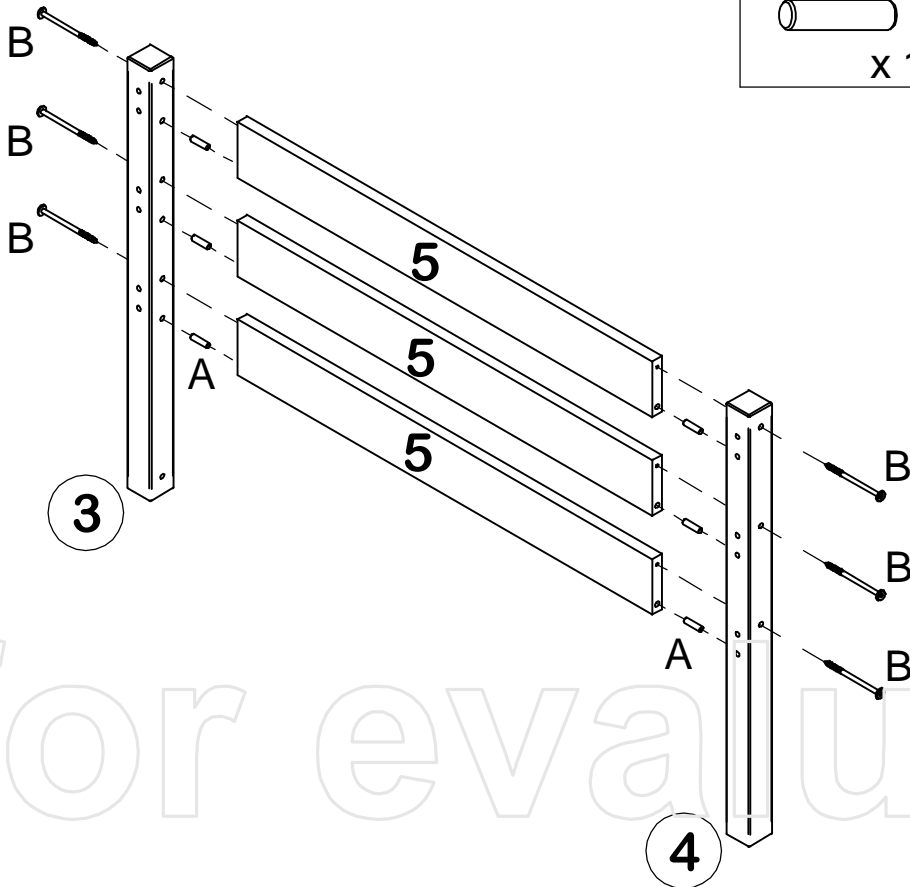
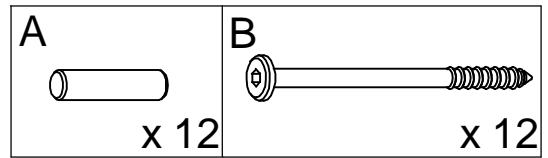


# 1



# x 2

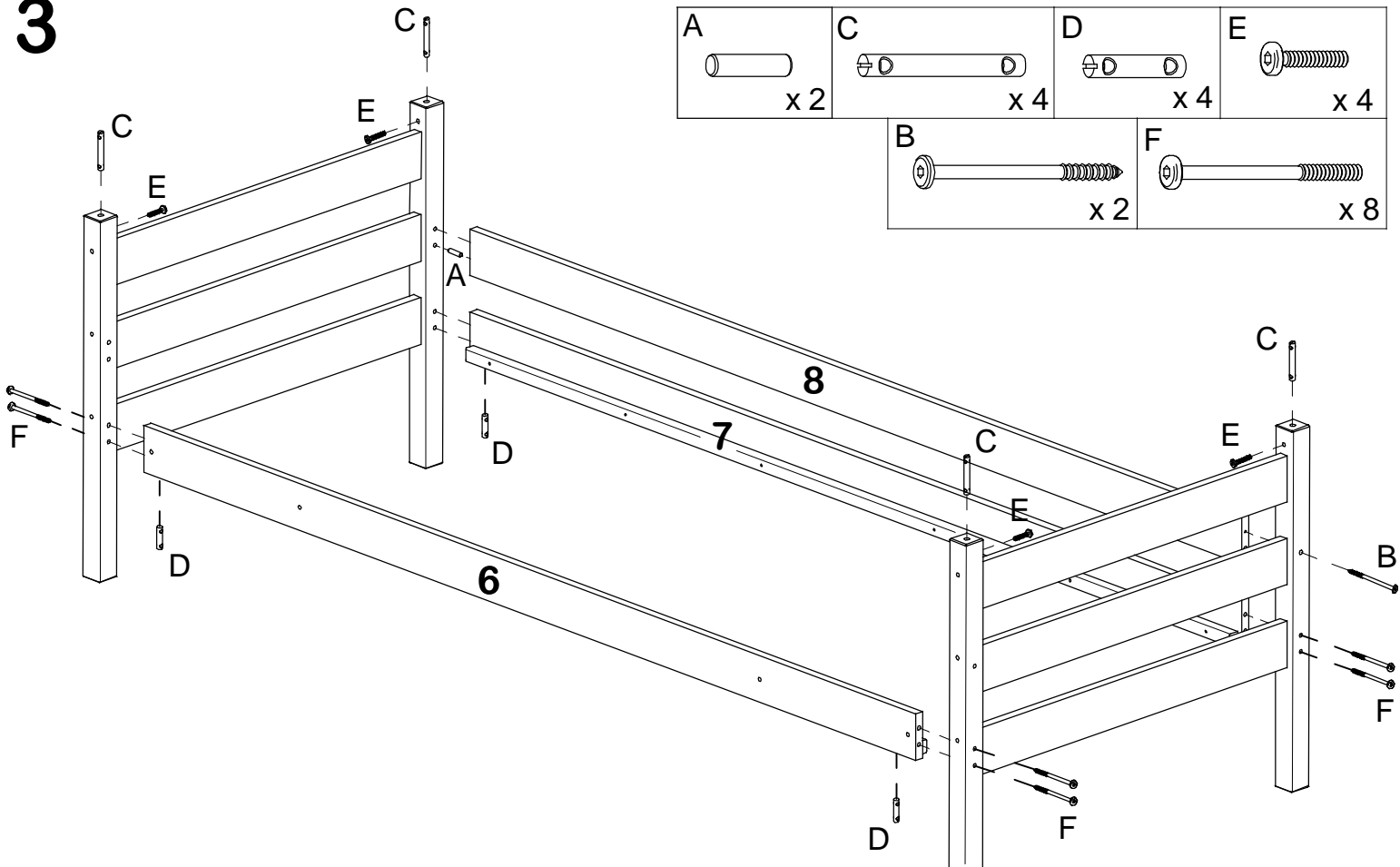
# 2



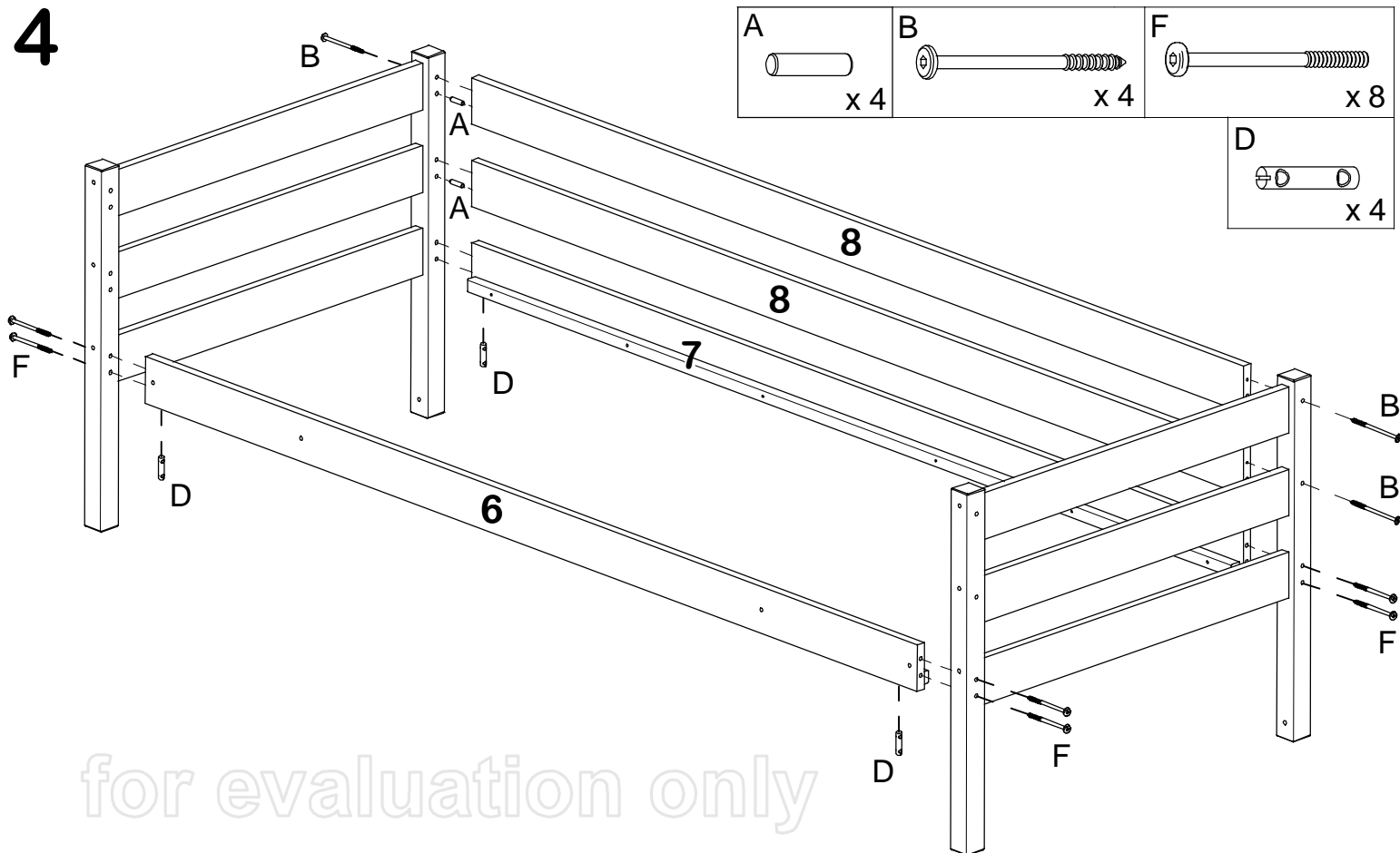
# x 2

for evaluation

3

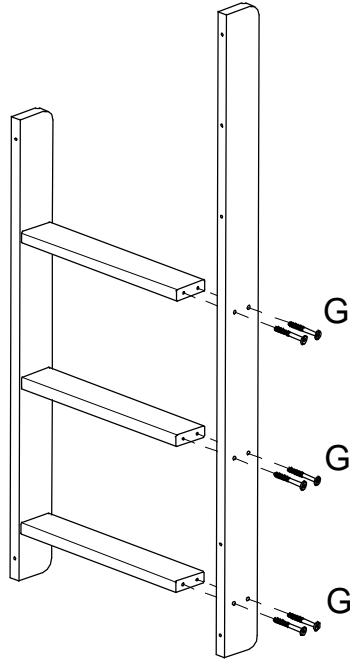
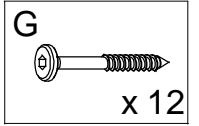


4

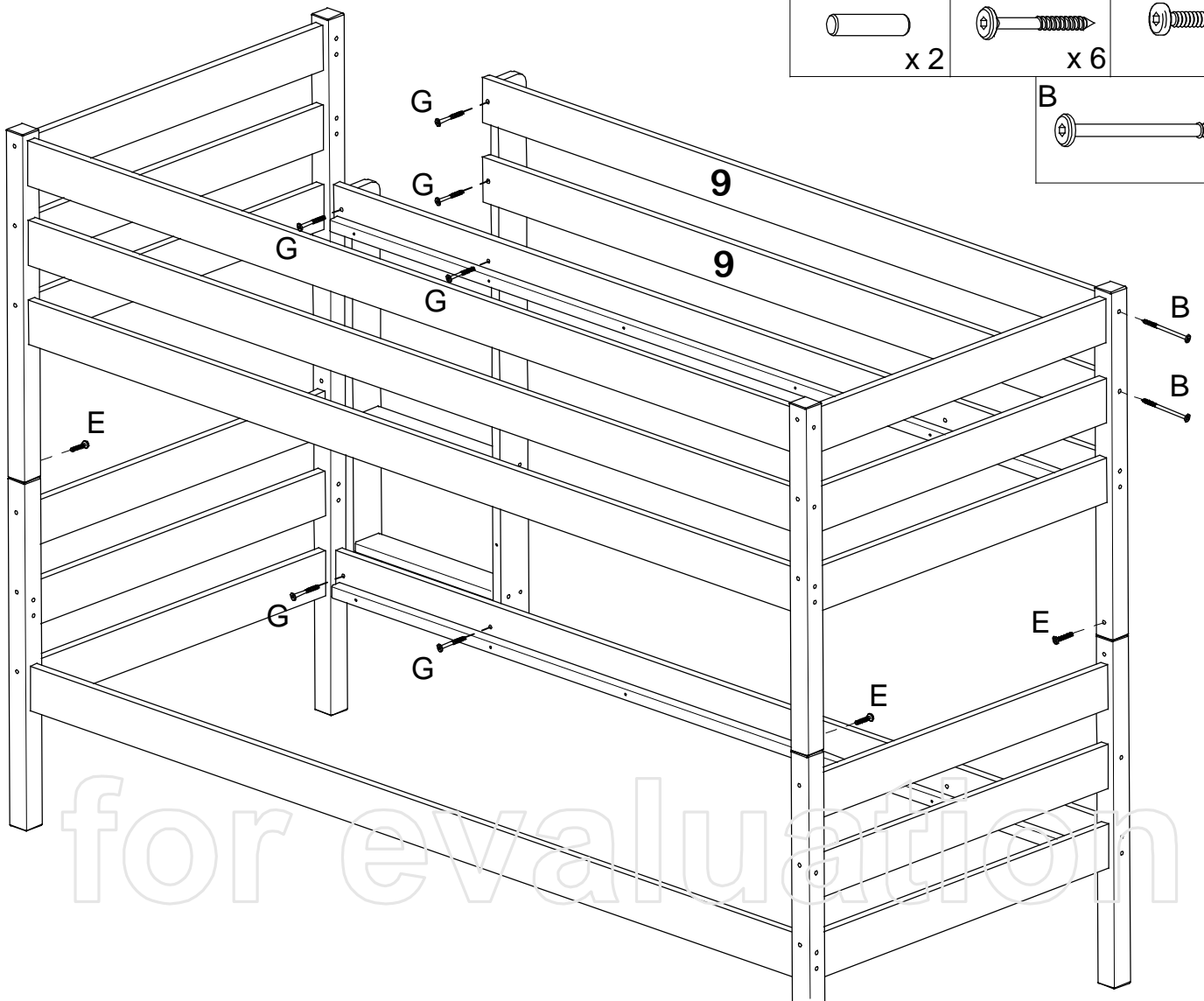
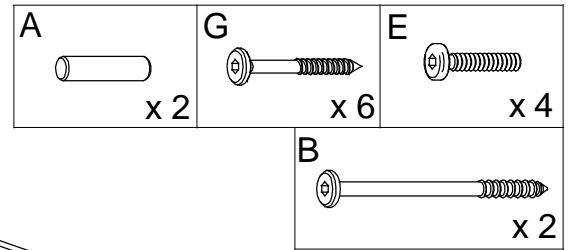


for evaluation only

5



6



for evaluation ©