
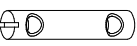
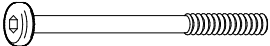
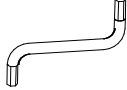
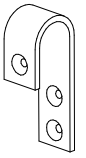
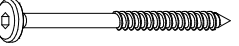
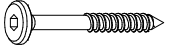



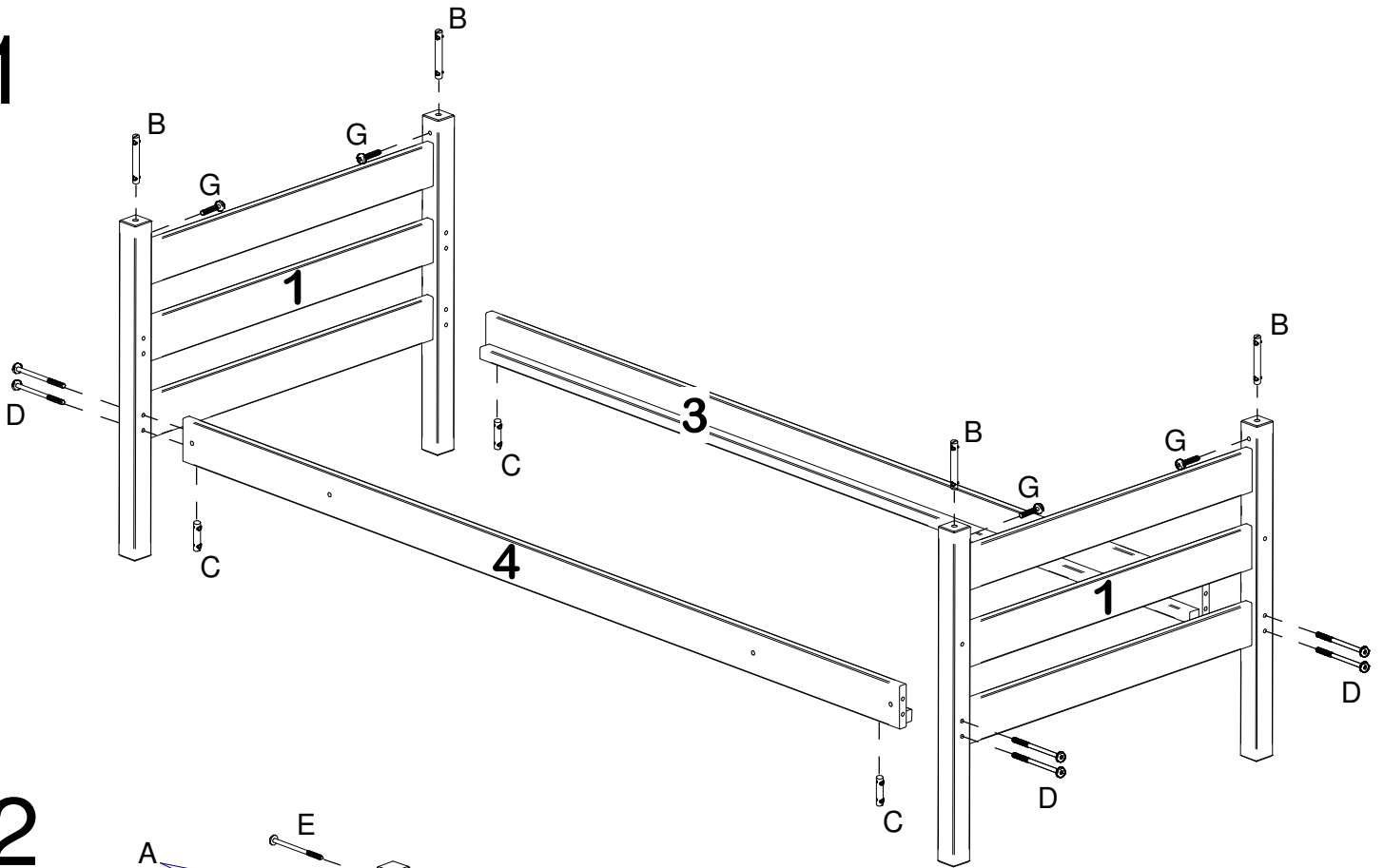
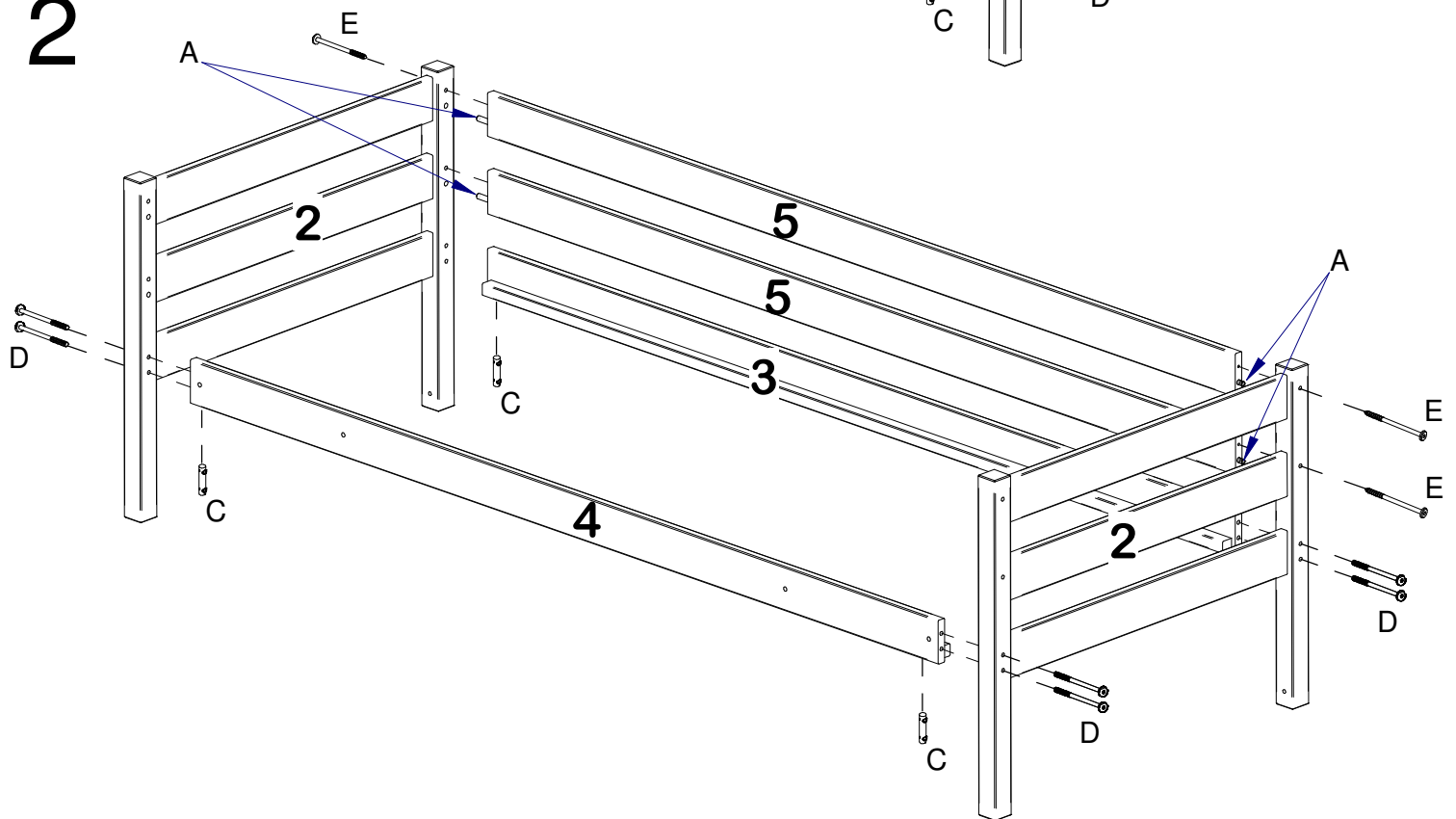
 A x 6	 B x 4	 C x 8	 D x 16	 L x 1	 K x 4
 E x 6	 F x 14	 G x 8	 H x 42	 J x 4	

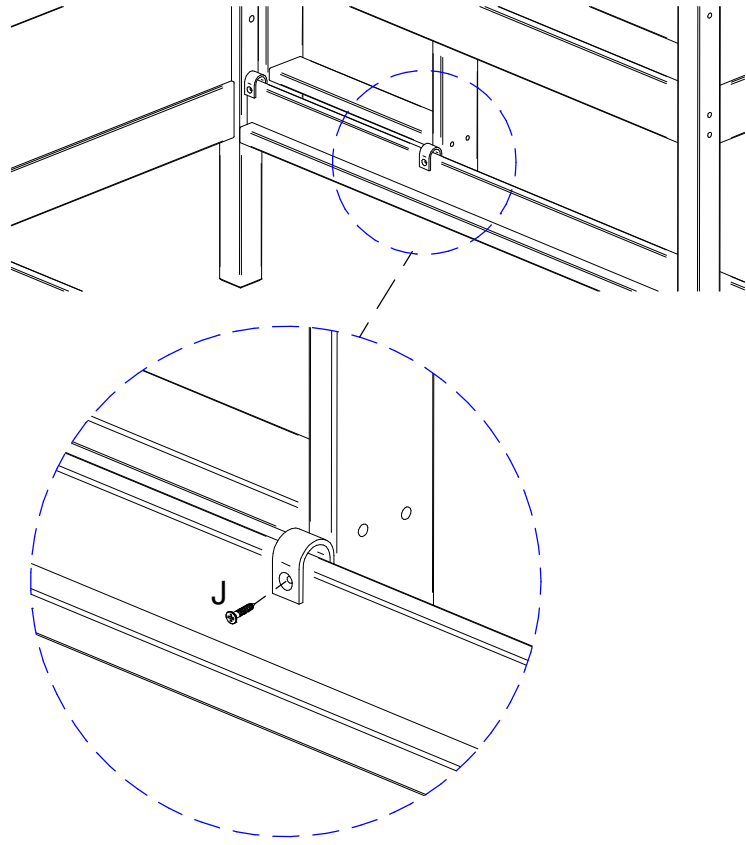
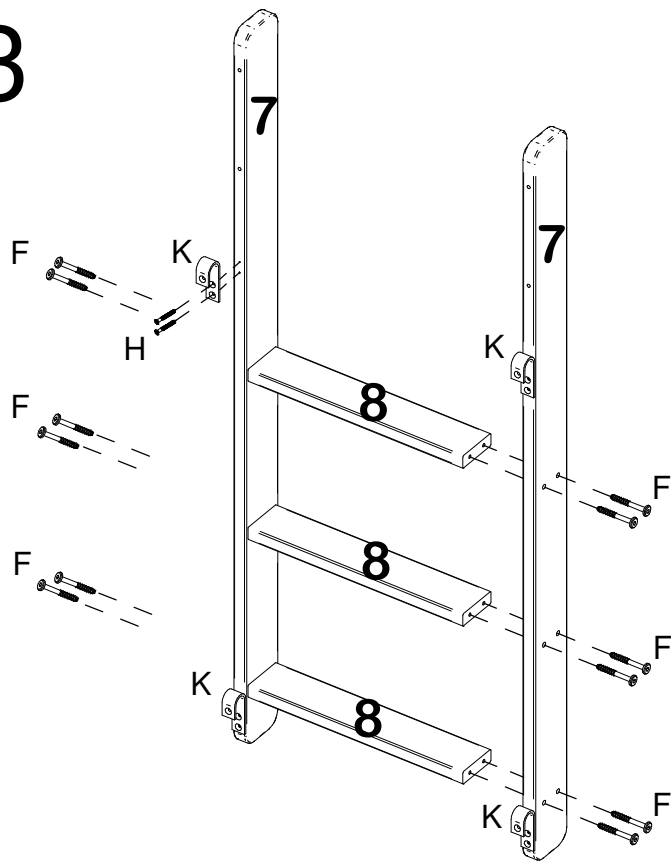
1



2



3



4

